



# PURY-EP300YHM-A

High COP R2 Series 12hp Outdoor Unit

R410A Heat Recovery



Many buildings require cooling in some areas and heating in others - even in adjacent rooms. The outstanding City Multi High COP R2 system meets this requirement by highly efficiently distributing surplus heat from cooling operations (and vice versa) to rooms where it is needed. This efficiency can result in energy savings of up to 30% over conventional systems.

- **Highest ever COP's / EER's due to new higher efficiency inverter technology**
- **High Sensible Cooling Function – By raising off coil temperature, a 10% increase in sensible cooling capacity over standard operation is achievable, the result being greater comfort for occupants**
- **Refrigerant Volume Checking Function can indicate if a leakage has occurred by measuring various temperature and pressures around the system, allowing customers to easily comply with the F-Gas regulation**
- **Replace Technology Function allows the re-use of refrigerant piping, controllers, power and control wiring for all previously installed R22 and R407c Heat Recovery and Cooling Only systems**
- **Energy-saving 100% inverter driven outdoor compressor units with very low start currents**



Pictures not to scale

## Product Details

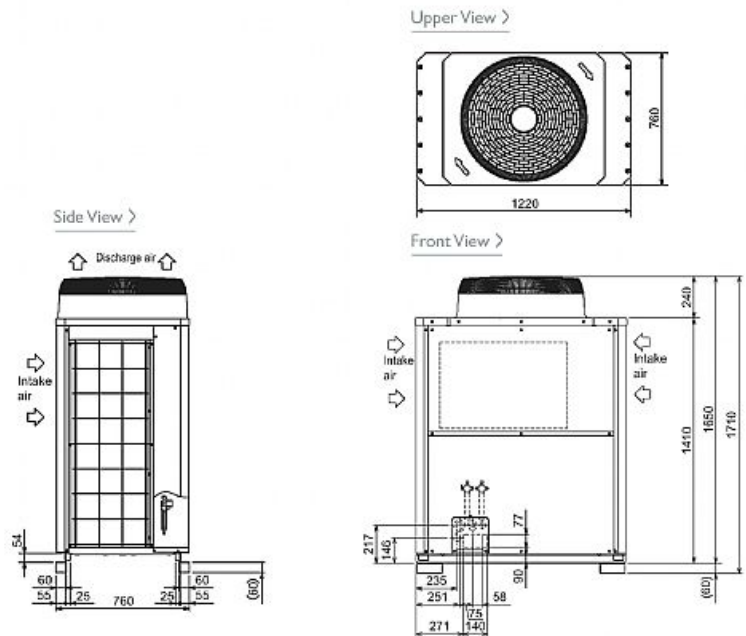
PURY-EP300YHM-A	
Capacity (kW):	
Heating (Nominal)	37.5
Cooling (Nominal)	33.5
Heating (UK)	33.0
Cooling (UK)	31.5
Power Input (kW) Heating (Nominal)	9.37
Power Input (kW) Cooling (Nominal)	8.33
Power Input (kW) Heating (UK)	9.09
Power Input (kW) Cooling (UK)	6.16
Max No. of Connectable Indoor Units	30
Airflow(m <sup>3</sup> /min)	225
Noise (dBA)	60
Width - mm	1220
Depth - mm	760
Height - mm	1710
Weight - kg	265
Electrical Supply	380-415v, 50Hz
Phase	3
Mains Cable No. Cores	4 + earth
Starting Current (A)	8
Running Current (A) - Heating	14.4
Running Current (A) - Cooling	12.8
Fuse Rating (BS88) - HRC (A)	32

### Piping Restrictions

Total Piping Length (m)	600
Furthest Piping Length (m)	165
Between Outdoor and BC Controller - Length (m)	110
Between Indoor and Outdoor Units - Height (m)	50
Between Indoor and Indoor Units - Height (m)	15

## Dimensions

PURY-EP300YHM-A



**Telephone: 01707 282880**

Email: [air.conditioning@meuk.mee.com](mailto:air.conditioning@meuk.mee.com) Website: <http://www.mitsubishielectric.co.uk/aircon>

Mitsubishi Electric reserves the right to make any variation in technical specification to the equipment described, or to withdraw or replace products without prior notification or public announcement.

Tel:  
Fax:

